

LCF-15001

3.0V Primary D Cell



Non-Rechargeable Li/CF_x-MnO₂ Hybrid

Highly reliable, lightweight cell with 2X the capacity of Li-SO₂ and impressive rate capability over a wide temperature range.

Features & Benefits

- ✦ 2X the capacity of Li-SO₂ D cells
- ✦ 1.4X the capacity of Li-MnO₂ D cells
- ✦ Wide operating temperature range
- ✦ Excellent rate capability
- ✦ Fully welded hermetically sealed design
- ✦ Pressure relief vent, shutdown separator, and re-settable thermal fuse for safety
- ✦ Long shelf life
- ✦ 20% overall weight reduction by using aluminum vs. steel cell case
- ✦ Positive case polarity
- ✦ Wide range of mission applications
- ✦ Easily configured for any custom battery assembly

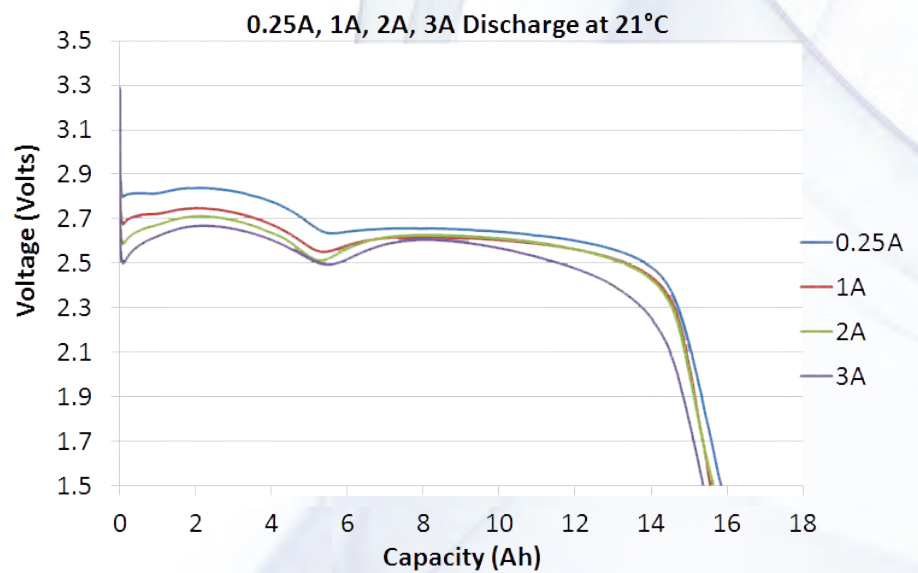
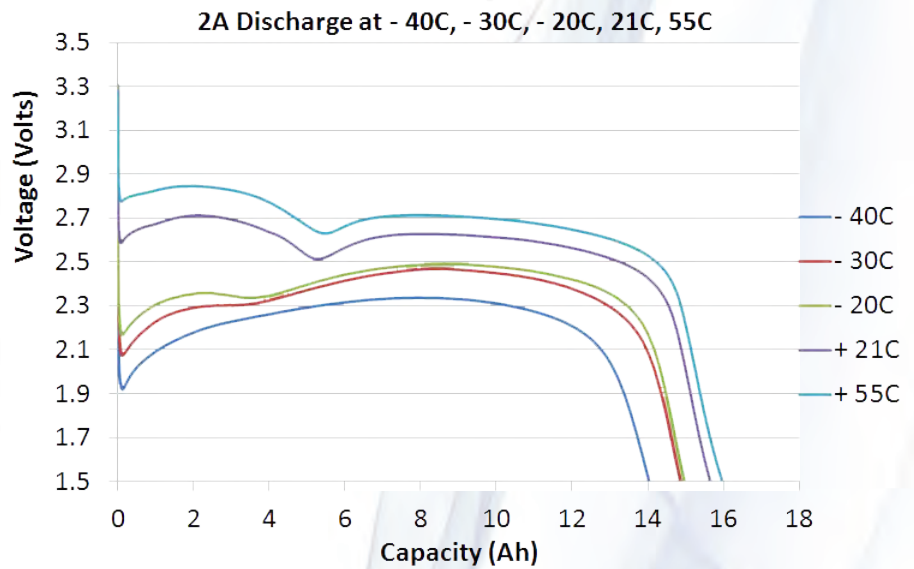
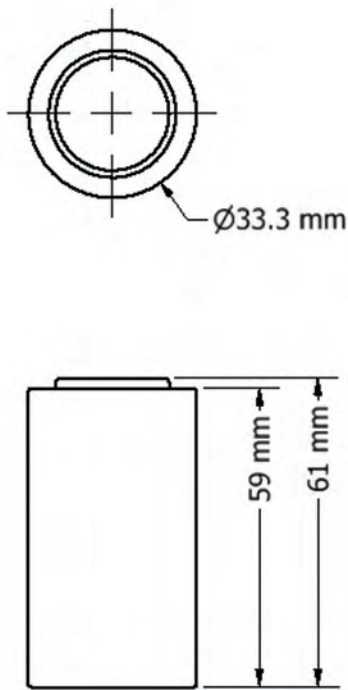
Applications

- ✦ Soldier power: C4ISR, Silent Watch
- ✦ Unattended ground sensors
- ✦ Survival and emergency equipment
- ✦ GPS/Mobile assist devices
- ✦ Alarming devices
- ✦ Automatic meter reading

Specifications	
Part Number	LCF-15001
Nominal Voltage	2.6 Volts*
Voltage Range	2.0 - 3.3 Volts
Capacity	15.0 Ah*
Max Continuous Current	3A** <i>To avoid overheating. Higher currents possible. Consult EaglePicher.</i>
Max Pulse Current	6A <i>Voltage performance will vary according to pulse characteristics, temperature and the cell history. Consult EaglePicher</i>
Operating Temperature	-40°C to +60°C
Storage Temperature	-40°C to +71°C
Diameter	33.3 mm / 1.31 in
Height	61.0 mm / 2.40 in
Weight	84 g
Specific Energy	464 Wh/kg
Energy Density	734 Wh/l
Exterior	Aluminum container with Mylar sleeve
Terminals / Connector	Based on customer preference
Transportation	Class 9 - U.S. and International***

* Based on 2A discharge at 21°C
 **Depends on combination of rate, temperature, thermal management, and other application factors. Contact EaglePicher for more information.
 *** Contact EaglePicher for more complete transportation regulations.

LCF-15001



EaglePicher™
Technologies, LLC
A VECTRA Company



EaglePicher Technologies, LLC

PO Box 47, Joplin, Missouri 64802-0047, USA

tel 417.623.8000 | fax 417.623.0850

www.eaglepicher.com

This information is released to the public domain in accordance with
ITAR 22 CFR 120.11.